



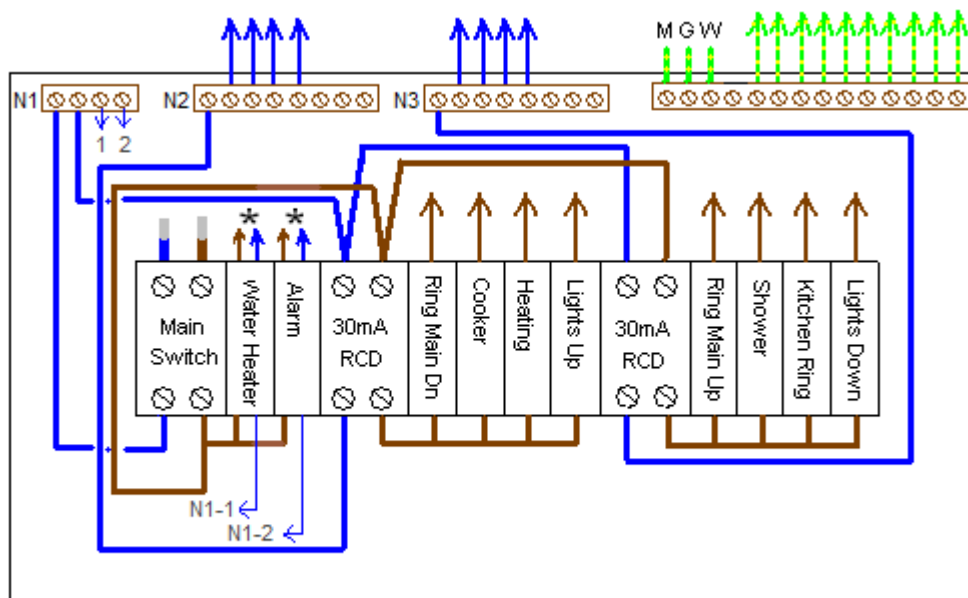
Consumer Units complying with BS7671 (2008)

To comply with the 17th Edition Wiring Regulations (BS 7671-2008) the following will apply to **ALL** domestic and residential installations.

- All socket outlets shall be protected by a 30mA RCD regardless if they are on the ground floor of a house or the top floor of a block of flats.
- All circuits in a room with a fixed bath or shower shall be protected by one or more 30mA RCD's.
- All cables concealed in metal stud partitions shall be protected a 30mA RCD.
- All cables buried at less than 50mm in a wall or partition shall be protected by one or more 30mA RCD.
- Installations should be divided up into circuits so as to take account of danger and inconvenience caused by a single fault.
- Installations should be designed and arranged to prevent nuisance tripping of RCD's.

RCD's used in *all* above circumstances should have a residual operating current of 30mA and an operating time not exceeding 40ms at a residual current of 150mA.

Consumer Unit layout using RCBO's & 2 x RCD's to comply with BS 7671 (2008)



* Separate 30mA RCBO's

*Separate RCBO's (Residual Current Operated Circuit Breaker) to be provided for parts of the installation that need to be separately controlled, in such a way that those circuits are not affected by the failure of other circuits.

(i.e. Smoke Alarms & Security Alarms for safety purposes, or Immersion Heaters and Cookers where older elements could contribute to nuisance tripping of RCD's)

Passionate about connections

north east
england



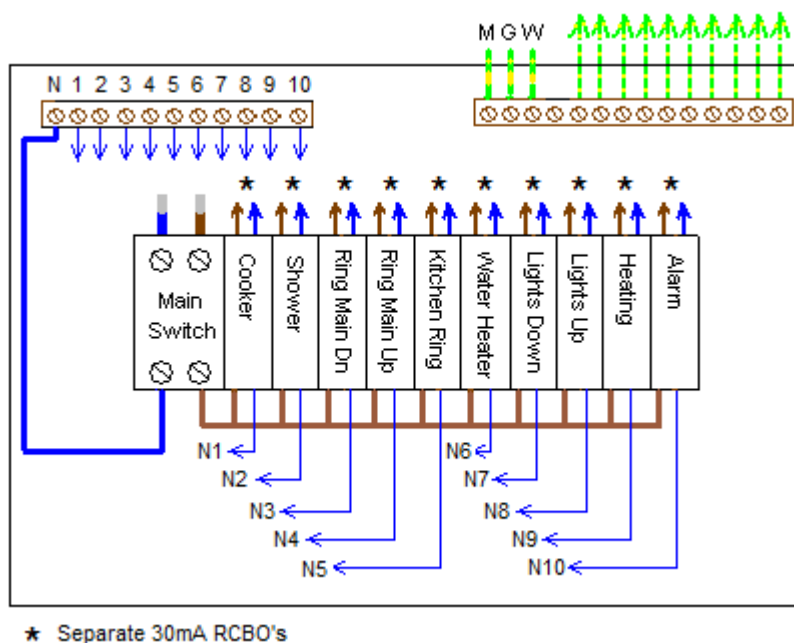
Consumer Units complying with BS7671 (2008)

To comply with the 17th Edition Wiring Regulations (BS 7671-2008) the following will apply to **ALL** domestic and residential installations.

- All socket outlets shall be protected by a 30mA RCD regardless if they are on the ground floor of a house or the top floor of a block of flats.
- All circuits in a room with a fixed bath or shower shall be protected by one or more 30mA RCD's.
- All cables concealed in metal stud partitions shall be protected a 30mA RCD.
- All cables buried at less than 50mm in a wall or partition shall be protected by one or more 30mA RCD.
- Installations should be divided up into circuits so as to take account of danger and inconvenience caused by a single fault.
- Installations should be designed and arranged so as to prevent nuisance tripping of RCD's.

RCD's used in *all* above circumstances should have a residual operating current of 30mA and an operating time not exceeding 40ms at a residual current of 150mA.

Consumer Unit layout using separate RCBO's to comply with BS 7671 (2008)



All RCBO's (Residual Current Operated Circuit Breaker) should have a residual operating current of 30mA and an operating time not exceeding 40ms at a residual current of 150mA.

Passionate about connections

north east
england